



Pool **REFLEXION** oval

Specific instruction sheet

Note : This instruction sheet manual includes installation instructions for specific items related to the REFLEXION OVAL pool. All the other steps must be followed in the main instruction manual.

1- SUPPORT POSTS INSTALLATION

Insert vertically the post in the bottom plate. The post has hooks that locks in the bottom plate holes. No screws are needed for this assembly. (figure 1.1)

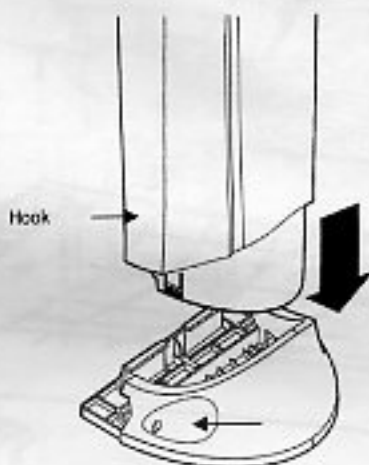


Figure 1.1

2- BACK CAP INSTALLATION

The back cap installation completes the functionality of the upright by linking together the post, the wall and the track.

Insert partially the back cap in the post head openings. The partial installation allows it to be removed during the liner installation. The final setting will be done by locking the hooks in the openings along with the screws on the top rail. (Figure 2.1)



Figure 2.1

3- TOP RAILS INSTALLATION

Round section

Position and place the top rails like shown in figure 3.1. The outside end of the top rail must be inserted in the opening on top of the post.

Insert partially the 3/4" screws on top.

When all the top rails are installed, wait and fill the pool 2 feet from the top before continuing to the next step.

Make sure to level permanently the 2 axis of the post before tightening the screws.

Install all necessary equipment (i.e. skimmer, filter, etc) per manufacturers specifications.

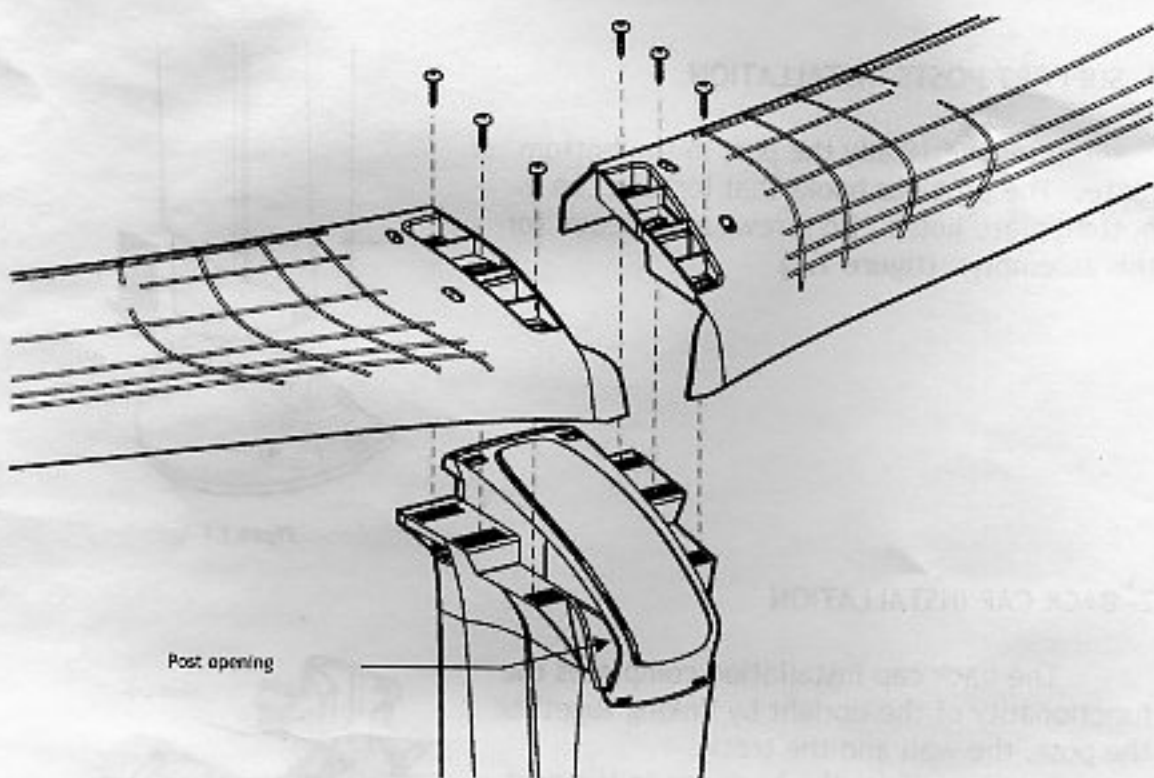


Figure 3.1

Straight side section

Insert the tab of the rigid seat cap in the upright cover opening. For a 52" pool, insert it in the bottom opening, for the 54", insert it in the top opening. Place the seat cap on the top plate and insert the back cap the same way as the round section. This assembly does not required any screws.

Install the top rails the same way as the round section.

Install a logo in the free opening of the upright cover. For the 52" pools, the logos are supplied, but not needed for the pool.

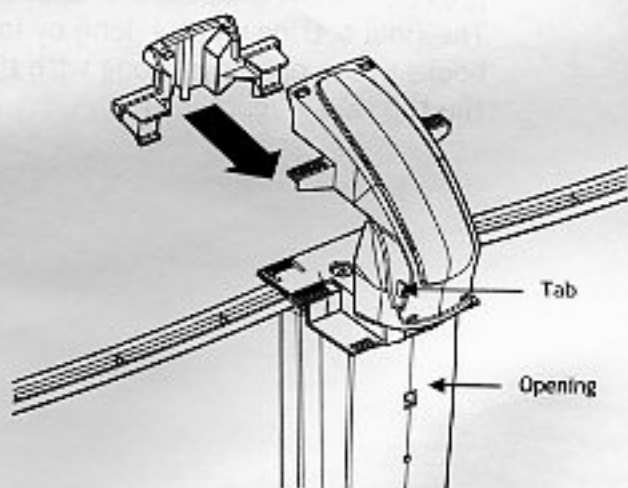


Figure 3.2

4- SEAT CAP INSTALLATION

Insert the 2 front hooks of the seat cap in the post openings. (Outside of the pool) (figure 4.1)

Install the seat cap from the front to the back by inserting the 4 seat cap hooks in the rail openings. (figure 4.2) To have a perfect installation, use the extra length that appear under the rail openings. Pull gently.

Finally, insert the 3 rear tabs of the seat cap on the molded hooks of the back cap. (figure 4.3) The seat cap must sit perfectly on the rail and the upright. (figure 4.4)

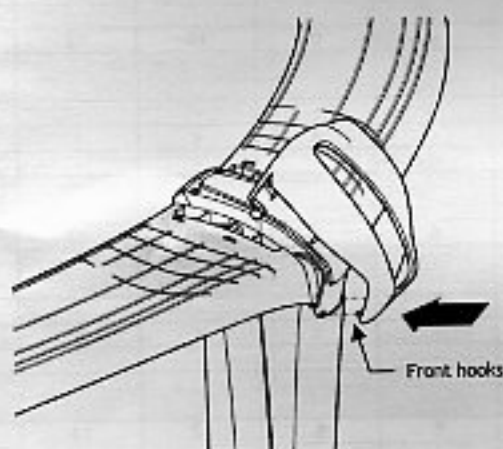


Figure 4.1

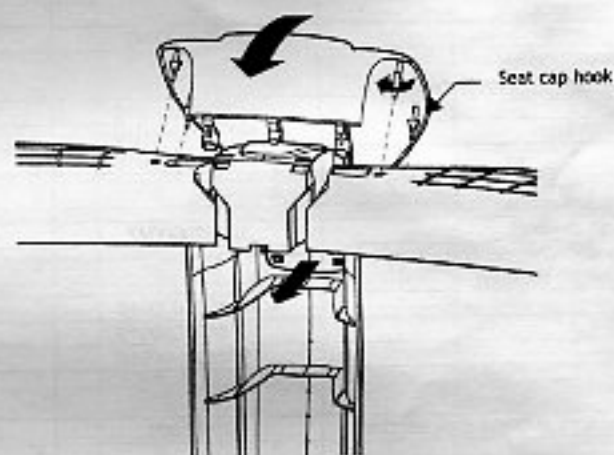


Figure 4.2

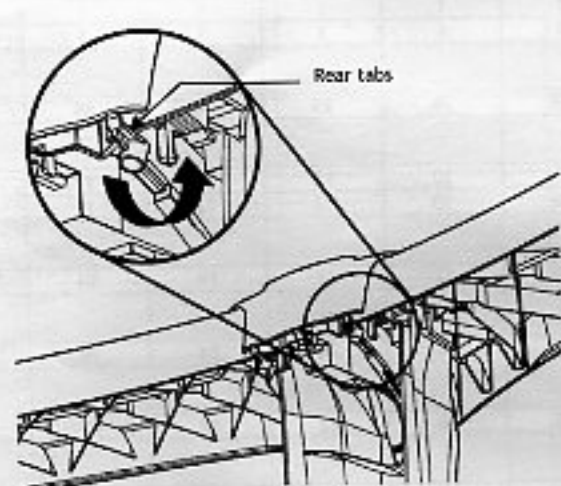


Figure 4.3

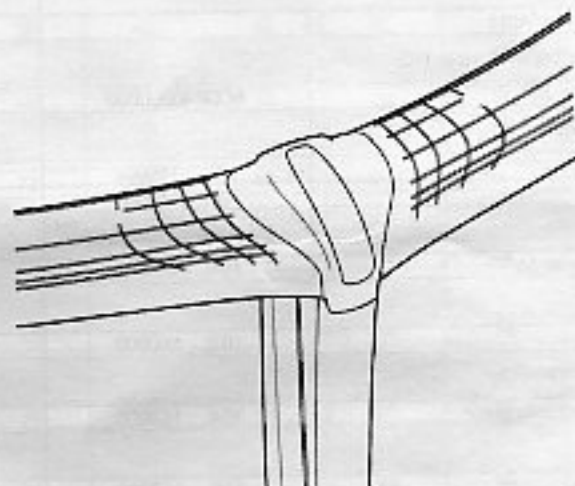


Figure 4.4

5- PARTS LIST

MOTAJIATEK 942 513

| Description | Piece number | 15x26 | 15x30 | 18x33 | 18x40 | 18x44 | 21x43 |
|--|---------------|--------|--------|--------|---------|---------|---------|
| A- Top wall channel (Round section) | | | | | | | |
| 15' | 1075853160000 | 8 | 8 | - | - | - | - |
| 18' | | - | - | 10 | 10 | 10 | - |
| 21' | 1071453160000 | - | - | - | - | - | 10 |
| B- Bottom wall channel (Round section) | | | | | | | |
| 15' | 10815_160000 | 8 | 8 | - | - | - | - |
| 18' | 10818_160000 | - | - | 10 | 10 | 10 | - |
| 21' | 10821_160000 | - | - | - | - | - | 10 |
| C Top wall channel (Straight side section) | | | | | | | |
| Top wall channel | 10702000042 | 4 | 6 | 6 | 10 | 12 | 12 |
| D- Top transition channel * (End of straight side section) | | | | | | | |
| 15' | 1072502000010 | 4 | 4 | - | - | - | - |
| 18' | 1075802000010 | - | - | 4 | 4 | 4 | - |
| 21' | 1071402000010 | - | - | - | - | - | 4 |
| E- Bottom wall channel (Straight side section) | | | | | | | |
| Bottom wall channel | 10802000042 | 4 | 6 | 6 | 10 | 12 | 12 |
| F- Bottom wall channel transition † (End of straight section) | | | | | | | |
| 15' | 1081502000010 | 4 | 4 | - | - | - | - |
| 18' | 1081802000010 | - | - | 4 | 4 | 4 | - |
| 21' | 1082102000010 | - | - | - | - | - | 4 |
| G- Wall rim spacer | | | | | | | |
| Wall rim spacer straight side section | 2WRS001 | 6 | 8 | 8 | 12 | 14 | 14 |
| H- Steel wall | | | | | | | |
| Steel wall (hole-to-hole) | 10900_0028 | 70' 7" | 77' 7" | 87' 3" | 101' 3" | 108' 4" | 108' 4" |
| I-Liner | | | | | | | |
| Vinyl liner (hook) | | 1 | 1 | 1 | 1 | 1 | 1 |
| Vinyl liner (overlap) | | 1 | 1 | 1 | 1 | 1 | 1 |
| J- Plastic coping (not included) | | | | | | | |
| Plastic coping 36" | 6COP40000000 | 24 | 26 | 29 | 34 | 36 | 36 |
| K- Support post | | | | | | | |
| 52" | 102_160002 | 10 | 10 | 12 | 12 | 12 | 12 |
| 54" | 102_160004 | 10 | 10 | 12 | 12 | 12 | 12 |
| L- Top seat | | | | | | | |
| Curved top seat 56" | 101_160000 | 12 | 12 | 14 | 14 | 14 | 14 |
| M- Back cap | | | | | | | |
| Back cap | 103_160000 | 16 | 18 | 20 | 24 | 26 | 26 |
| N- Bottom plate | | | | | | | |
| Decorative bottom plate | 104_160000 | 10 | 10 | 12 | 12 | 12 | 12 |
| O- Soft seat cap | | | | | | | |
| Soft seat cap | 106_160000 | 16 | 18 | 20 | 24 | 26 | 26 |
| P- 3/4" screw | | | | | | | |
| Stainless screw 12 x 3/4" | 2PPS124 | 96 | 108 | 120 | 144 | 156 | 156 |
| Q- Top seat | | | | | | | |
| Straight top seat 41" | 10102160042 | 4 | 6 | 6 | 10 | 12 | 12 |
| R- Upright cover | | | | | | | |
| Upright cover 52" | 102_000002 | 6 | 8 | 8 | 12 | 14 | 14 |
| Upright cover 54" | 102_000004 | 6 | 8 | 8 | 12 | 14 | 14 |
| S- Logo | | | | | | | |
| Aqua Leader logo (54" only) | 130_000010 | 6 | 8 | 8 | 12 | 14 | 14 |
| T- rigid seat cap | | | | | | | |
| Rigid seat cap (straight side section) | 103_160010 | 6 | 8 | 8 | 12 | 14 | 14 |

| Description | Piece number | 15x26 | 15x30 | 18x33 | 18x40 | 18x44 | 21x43 |
|-------------------------------------|--------------|-------|-------|-------|-------|-------|-------|
| U- Pressure plate | | | | | | | |
| Steel pressure plate | 2ANG042 | 6 | 8 | 8 | 12 | 14 | 14 |
| V- Strap end channel | | | | | | | |
| Steel strap end channel | 2SEC000 | 6 | 8 | 8 | 12 | 14 | 14 |
| W- Under channel | | | | | | | |
| Steel under channel | 2UCH000 | 6 | 8 | 8 | 12 | 14 | 14 |
| X- Straps | | | | | | | |
| Straps 15' | 2BDM015 | 9 | 12 | - | - | - | - |
| Straps 18' | 2BDM018 | - | - | 12 | 18 | 21 | - |
| Straps 21' | 2BDM021 | - | - | - | - | - | 28 |
| Y- Washer 3 holes | | | | | | | |
| Washer 3 holes | 2PLA000 | 12 | 16 | 16 | 24 | 28 | 28 |
| Z- Upright | | | | | | | |
| Steel upright 52" | 2REN200 | 6 | 8 | 8 | 12 | 14 | 14 |
| Steel upright 54" | 2REN400 | 6 | 8 | 8 | 12 | 14 | 14 |
| AA- Gussets | | | | | | | |
| Right gusset | 2GUR000 | 6 | 8 | 8 | 12 | 14 | 14 |
| Loft gusset | 2GUL000 | 6 | 8 | 8 | 12 | 14 | 14 |
| BB- Top plate | | | | | | | |
| Metal top plate | 2MTP000 | 6 | 8 | 8 | 12 | 14 | 14 |
| CC- Top plate | | | | | | | |
| Resin top plate | 1040033A01 | 6 | 8 | 8 | 12 | 14 | 14 |
| DD- Bottom plate | | | | | | | |
| Resin bottom plate straight section | 104_000000 | 6 | 8 | 8 | 12 | 14 | 14 |
| EE- Bolt 5" | | | | | | | |
| Bolt 5" x 5/16 - 18 | 2PCB518 | 36 | 48 | 48 | 72 | 84 | 84 |
| FF- Bolt 4 1/2" | | | | | | | |
| Bolt 4 1/2" x 5/16 - 18 | 2PCB418 | 12 | 16 | 16 | 24 | 28 | 24 |
| GG- Nut | | | | | | | |
| Nut 5/16 - 18 | 2PNZ518 | 72 | 96 | 96 | 144 | 164 | 178 |
| HH- Screw 1/2" | | | | | | | |
| Screw 1/2" x 5/16 - 18 | 2PPS002 | 24 | 32 | 32 | 48 | 56 | 70 |
| II- Screw 3/4" | | | | | | | |
| Screw 3/4" #10 | 2PPS001 | 42 | 56 | 56 | 84 | 98 | 98 |
| JJ- Screw 3/4" | | | | | | | |
| Screw 3/4" #12 truss head | 2TPS124 | 30 | 42 | 42 | 66 | 78 | 78 |
| KK- Screw 1" | | | | | | | |
| Screw 1" #10 | 2PPS004 | 24 | 32 | 32 | 48 | 56 | 56 |
| LL- Bolt 5 1/2" ** | | | | | | | |
| Bolt 5 1/2" x 1/4 - 20 | 2PCB520 | 6 | 8 | 8 | 12 | 14 | 14 |
| MM- Nut ** | | | | | | | |
| Nut 1/4 - 20 | 2PCB420 | 6 | 8 | 8 | 12 | 14 | 14 |

Piece number codification

Example : 109 00 24 02 00 16 0 2
 Wall Size Color Pool Wall model Reg. SS Height

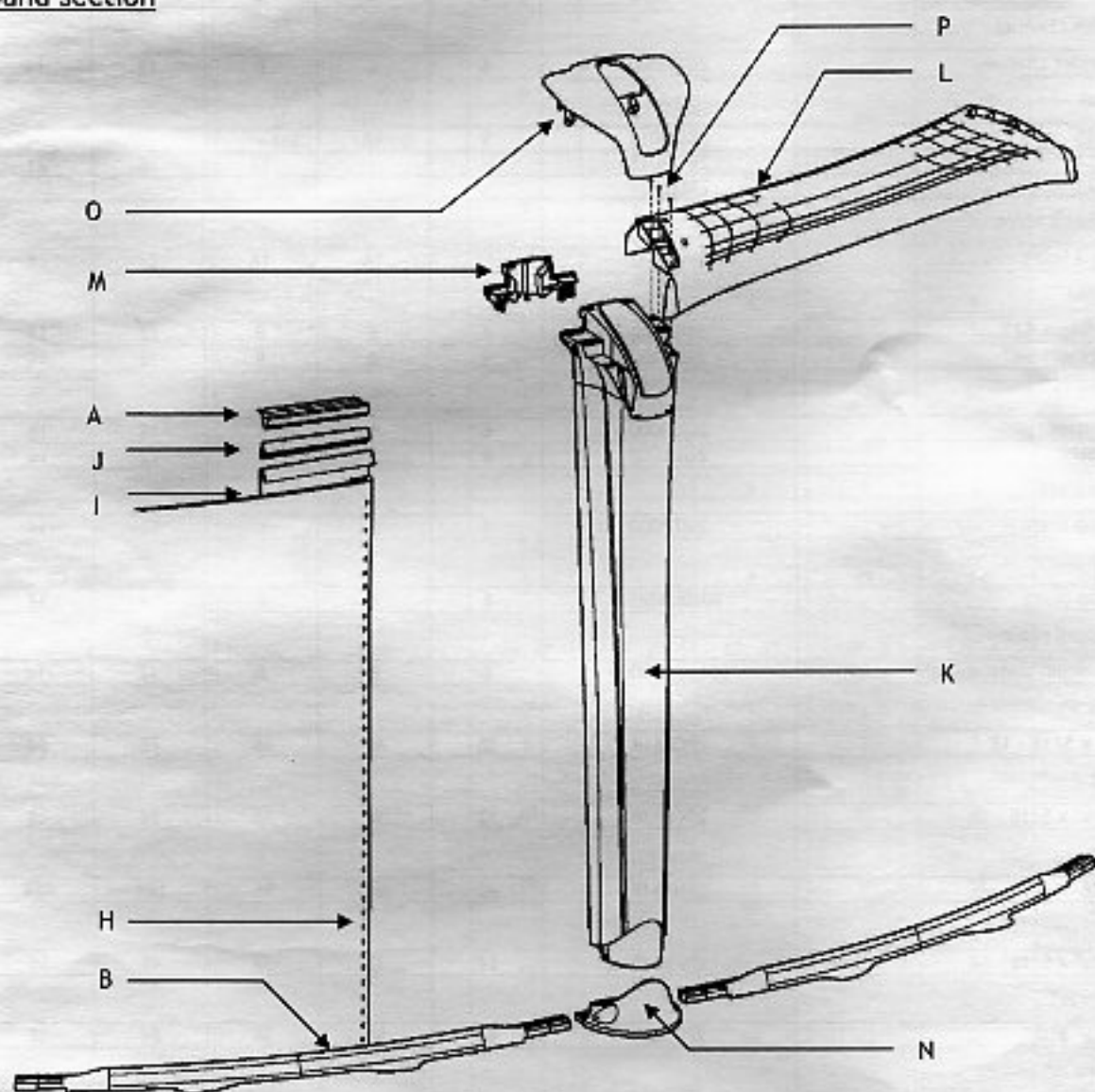
Color codes : 02-pearl, 08 Ivory, 09 Champagne, 10 green, 33 grey

* The transition channels are 2 inches shorter than the round section channels.
 (not illustrated)

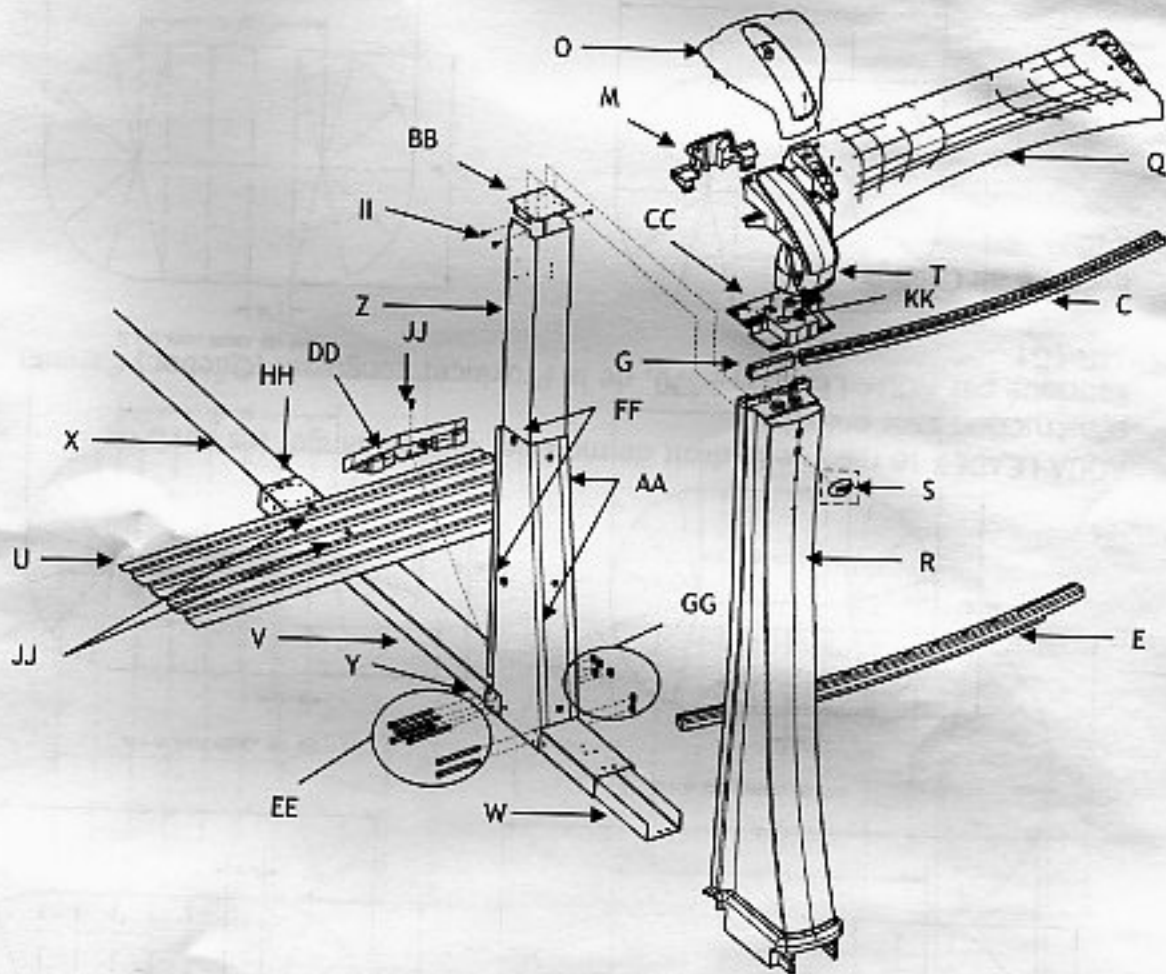
** Used to hold the upright cover at the base (Not illustrated)

EXPLODED VIEW

Round section



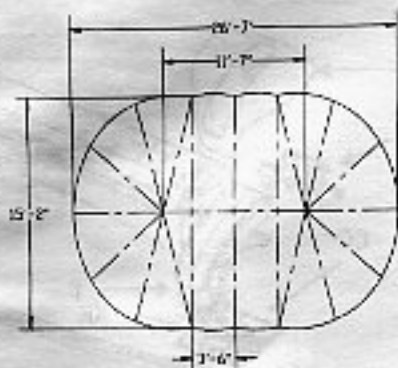
Straight side section



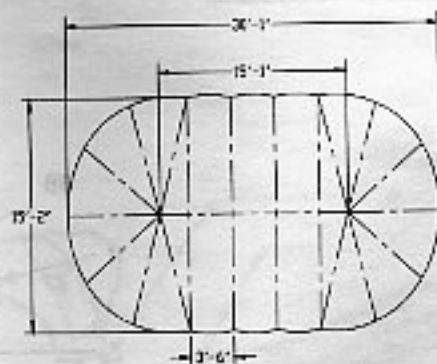
ALTA LEADER reserves the right to modify or alter any of the above specifications without notice.
Manufactured by ALTA LEADER, 2370 St. La. Province, Canada, Q2A
JAC 101

Printed in Canada 12004

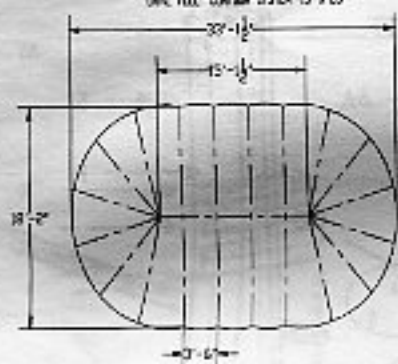
REAL SIZES



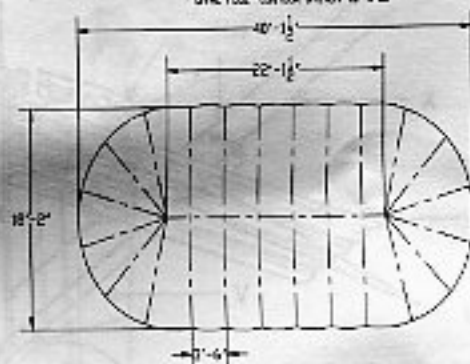
OVAL POOL CONTOUR SYSTEM 15' x 26'



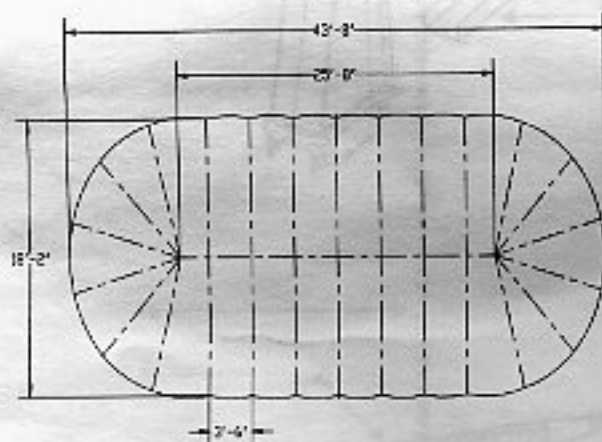
OVAL POOL CONTOUR SYSTEM 15' x 26'



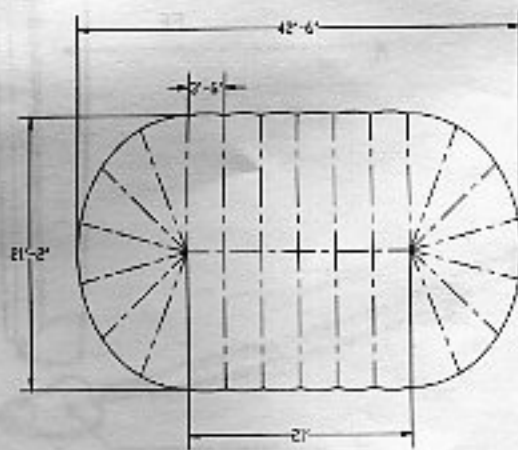
OVAL POOL CONTOUR SYSTEM 18' x 22'



OVAL POOL CONTOUR SYSTEM 18' x 40'



OVAL POOL CONTOUR SYSTEM 15' x 42'



OVAL POOL CONTOUR SYSTEM 21' x 42'

AQUA LEADER reserves the right to modify or alter any construction specifications without notice.

Manufactured by AQUA LEADER, 2370 de la Province Longueuil, QC, J4G 1G1

Printed in Canada ©2004